



5-year warranty



Type overview

Type	DN
B310	15

Technical data

Functional data	Valve size [mm]	0.5" [15]	
	Fluid	chilled or hot water, up to 60% glycol	
	Fluid Temp Range (water)	0...250°F [-18...120°C]	
	Body Pressure Rating	600 psi	
	Close-off pressure Δps	200 psi	
	Flow characteristic	A-port equal percentage, B-port modified for constant common port flow	
	Servicing	maintenance-free	
	Flow Pattern	3-way Mixing/Diverting	
	Leakage rate	0% for A – AB, <2.0% for B – AB	
	Controllable flow range	75°	
	Cv	1.2	
	Cv Flow Rating	A-port: as stated in chart B-port: 70% of A – AB Cv	
	Materials	Valve body	Nickel-plated brass body
		Spindle	stainless steel
Spindle seal		EPDM (lubricated)	
Seat		PTFE	
Characterized disc		TEFZEL®	
Pipe connection		NPT female ends	
O-ring		EPDM (lubricated)	
Ball		stainless steel	
Suitable actuators	Non-Spring	TR LRB(X) NRB(X) N4	
	Spring	TFB(X) LF	

Safety notes



- WARNING: This product can expose you to lead which is known to the State of California to cause cancer and reproductive harm. For more information go to www.p65warnings.ca.gov

Product features

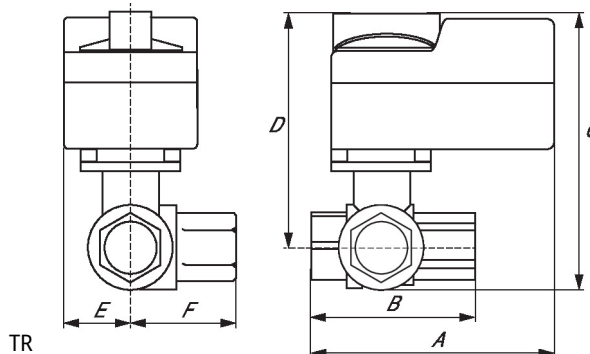
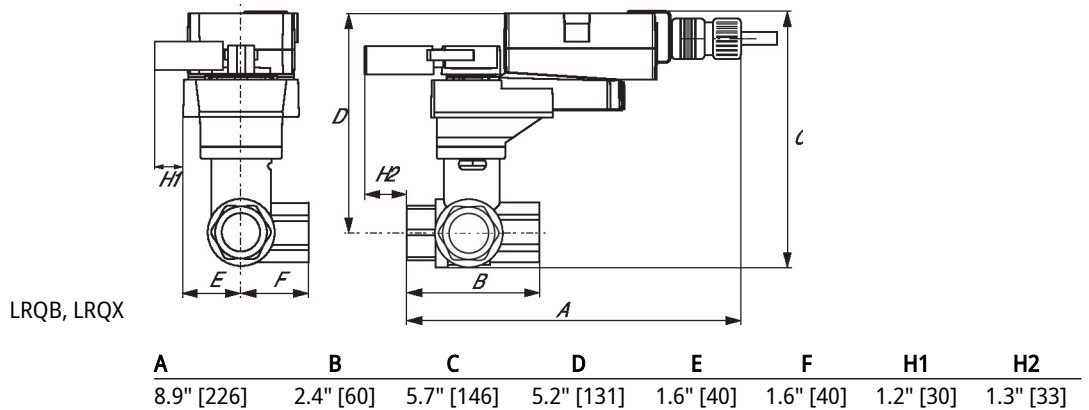
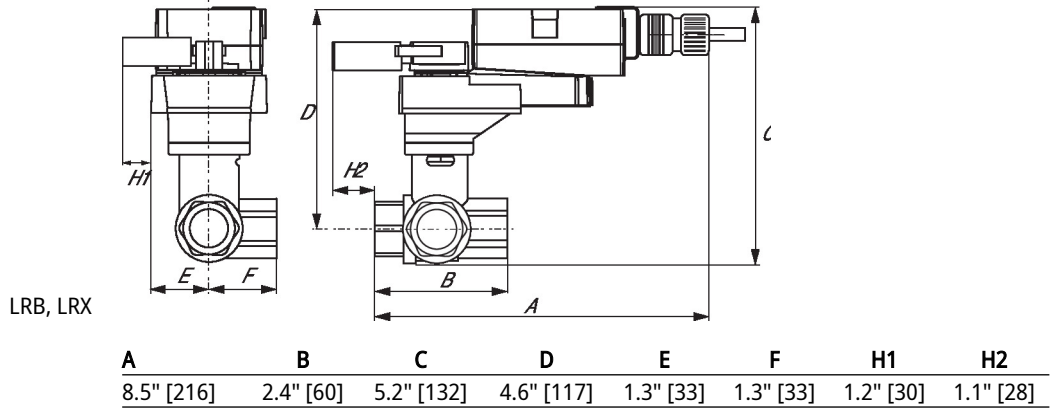
Application This valve is typically used in air handling units on heating or cooling coils, and fan coil unit heating or cooling coils. Some other common applications include Unit Ventilators, VAV box re-heat coils and bypass loops. This valve is suitable for use in a hydronic system with variable or constant flow.

Flow/Mounting details

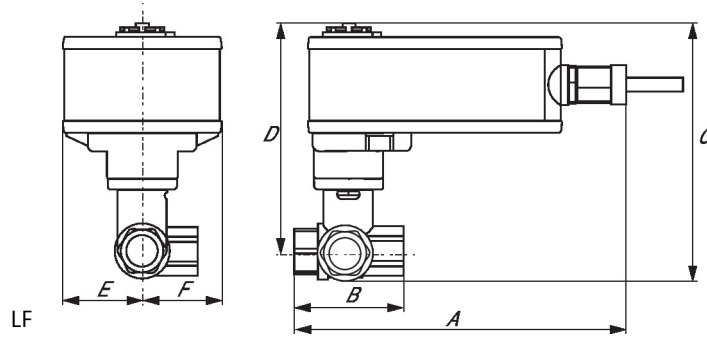


Dimensions

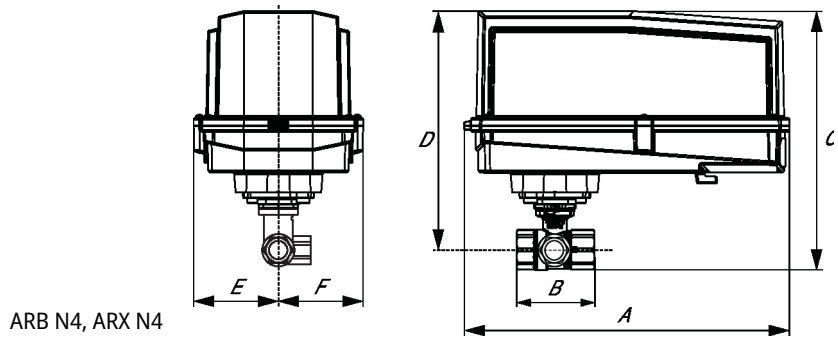
Type	DN
B310	15



A	B	C	D	E	F
3.7" [95]	2.4" [60]	4.8" [122]	4.2" [107]	1.3" [33]	1.2" [31]



A	B	C	D	E	F
7.9" [200]	2.4" [60]	5.7" [146]	5.1" [129]	1.8" [46]	1.8" [46]



A	B	C	D	E	F
11.4" [289]	2.4" [60]	7.2" [184]	6.7" [169]	3.1" [80]	3.1" [80]