



5-year warranty



Type overview

| | |
|------|----|
| Type | DN |
| B278 | 80 |

Technical data

| | | |
|---------------------------|--------------------------|--|
| Functional data | Valve size [mm] | 3" [80] |
| | Fluid | chilled or hot water, up to 60% glycol |
| | Fluid Temp Range (water) | 0...212°F [-18...100°C] |
| | Body Pressure Rating | 400 psi |
| | Close-off pressure Δps | 100 psi |
| | Flow characteristic | equal percentage |
| | Pipe connection type | Internal thread NPT (female) |
| | Servicing | maintenance-free |
| | Flow Pattern | 2-way |
| | Leakage rate | 0% for A – AB |
| | Controllable flow range | 75° |
| | Cv | 130 |
| | Materials | Valve body |
| Stem | | stainless steel |
| Stem seal | | EPDM (lubricated) |
| Seat | | PTFE |
| Characterized disc | | TEFZEL® |
| O-ring | | EPDM (lubricated) |
| Ball | | stainless steel |
| Suitable actuators | Non-Spring | ARB(X) |
| | Spring | AFRB(X) |

Safety notes



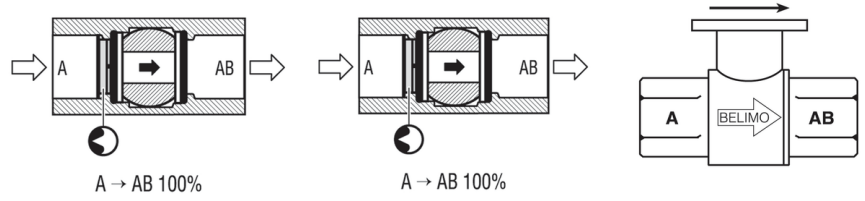
- WARNING: This product can expose you to lead which is known to the State of California to cause cancer and reproductive harm. For more information go to www.p65warnings.ca.gov

Product features

Application This valve is typically used in air handling units on heating or cooling coils, and fan coil unit heating or cooling coils. Some other common applications include Unit Ventilators, VAV box re-heat coils and bypass loops. This valve is suitable for use in a hydronic system with variable flow.

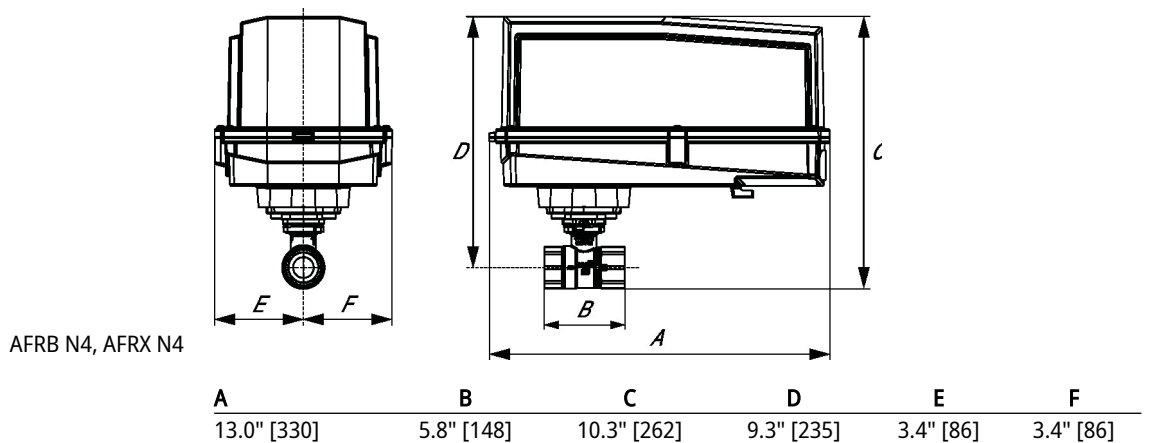
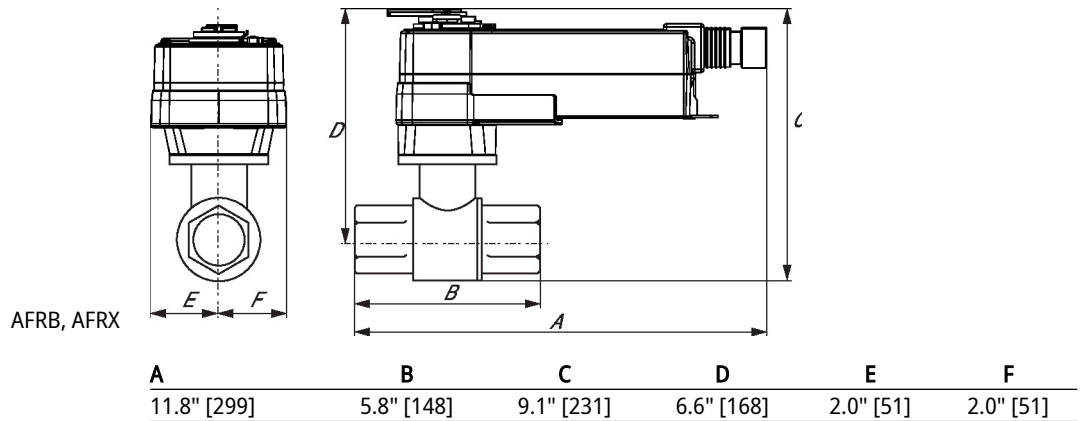
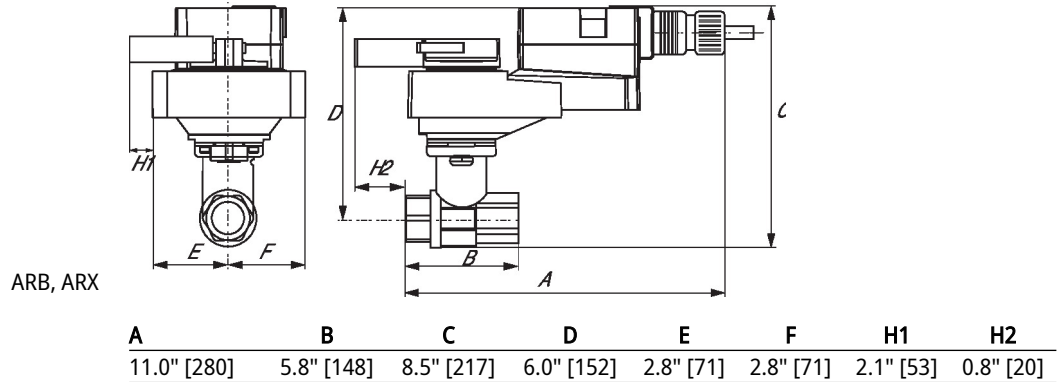
Flow/Mounting details

Two-way valves should be installed with the disc upstream.

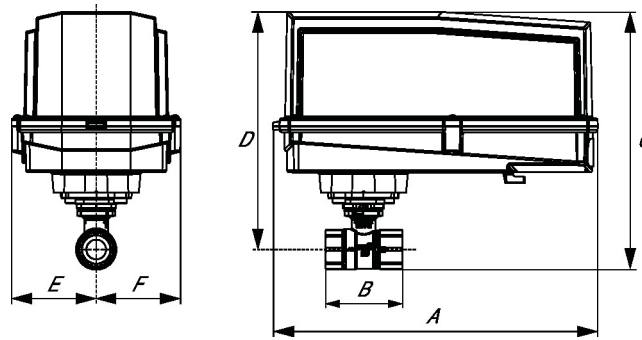


Dimensions

| Type | DN | Weight |
|------|----|-----------------|
| B278 | 80 | 9.0 lb [4.1 kg] |

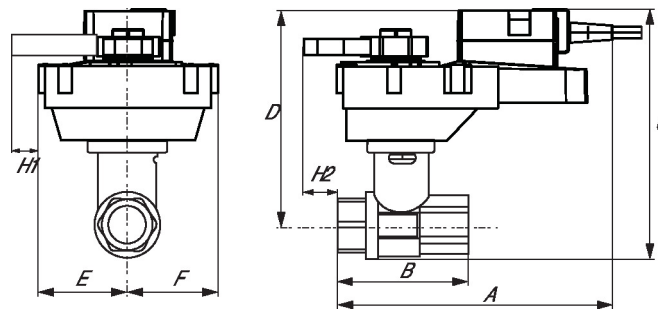


ARB N4, ARX N4, NRB N4, NRX N4



| A | B | D | E | F |
|-------------|------------|------------|-----------|-----------|
| 11.4" [289] | 5.8" [148] | 8.0" [203] | 3.1" [80] | 3.1" [80] |

ARQB, ARQX



| A | B | C | D | E | F | H1 | H2 |
|------------|------------|------------|------------|-----------|-----------|-----------|-----------|
| 9.9" [251] | 4.2" [107] | 8.6" [219] | 6.1" [155] | 2.3" [58] | 2.3" [58] | 0.8" [20] | 0.6" [15] |